

AXOR Montreux
Axor Montreux Pot Filler, Wall-Mounted
 Finishes : **chrome** Part no. : **16859001**



Description

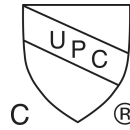
Features

- Swivel range 180°
- Aerated spray
- Flow: 2.5 GPM
- 90° ceramic valves
- 1/2" NPT
- Includes cross and lever handles
- California Low Lead / Section 116875 CHSC

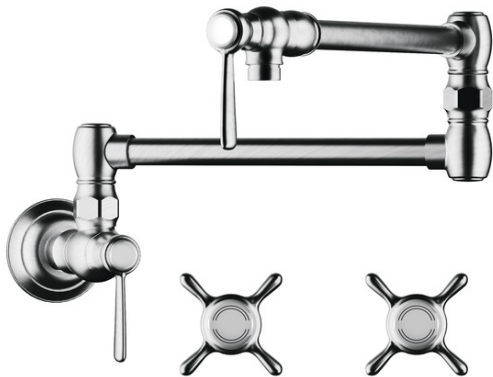
Item details

List Price \$ 950.00

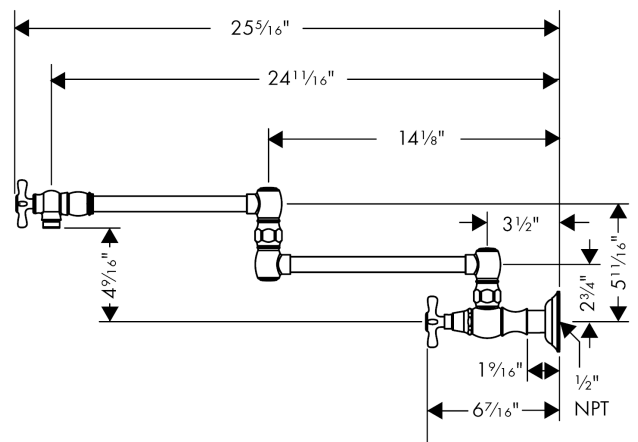
Compliance



Product image



Scale drawing

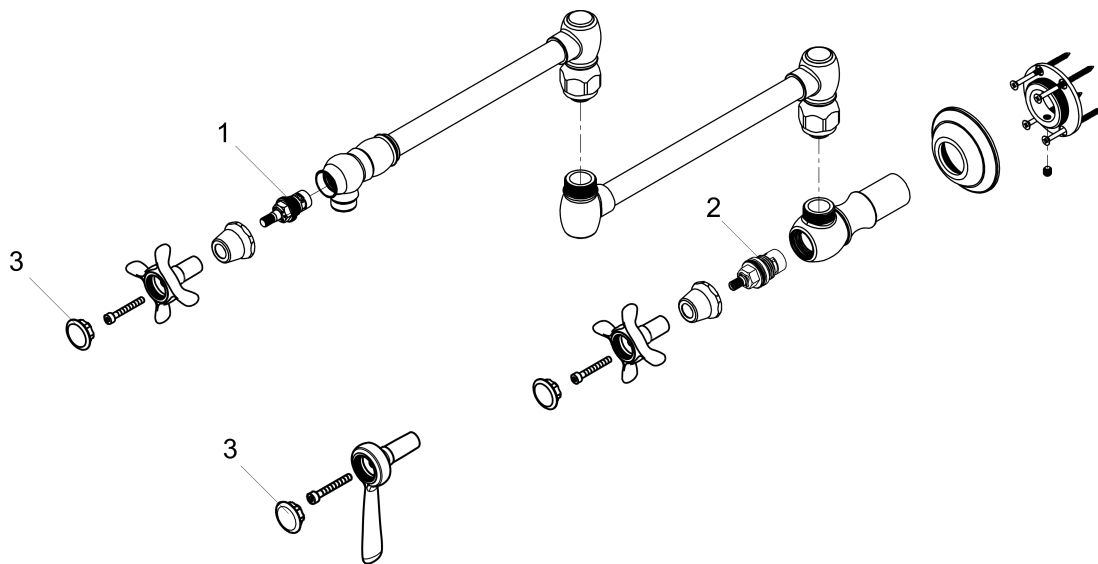


AXOR Montreux
Axor Montreux Pot Filler, Wall-Mounted
Finishes : **chrome** Part no. : **16859001**



Exploded drawing

Year of production: >08/10



AXOR Montreux
Axor Montreux Pot Filler, Wall-Mounted
 Finishes : **chrome** Part no. : **16859001**



Spare parts list

Year of production: >08/10

Pos.	Description	Part no.	Price	PU
1	set of screw covers, cold / hot water / neutral	97987000	-	1
2	shut off unit	88790000	-	1
3	shut off unit	88789000	-	1